

## AD7390/AD7391

### FEATURES

**Micropower—100  $\mu$ A**  
**Single-Supply—+2.7 to +5.5 V Operation**  
**Compact 1.75 mm Height SO-8 Package**  
**& 1.1 mm Height TSSOP-8**  
**AD7390—12-Bit Resolution**  
**AD7391—10-Bit Resolution**  
**SPI & QSPI Serial Interface Compatible with Schmitt Trigger Inputs**

### APPLICATIONS

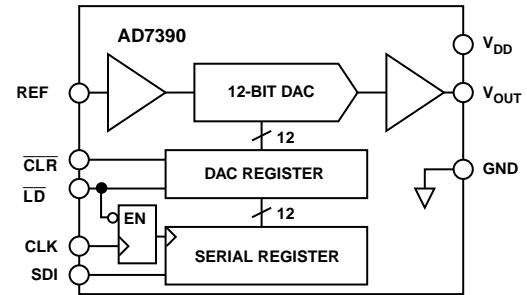
**Automotive 0.5 V to 4.5 V Output Span Voltage**  
**Portable Communications**  
**Digitally Controlled Calibration**

### GENERAL DESCRIPTION

The AD7390/AD7391 family of 10-bit & 12-bit voltage-output digital-to-analog converters is designed to operate from a single +3 V supply. Built using a CBCMOS process, these monolithic DACs offer the user low cost, and ease-of-use in single-supply +3 V systems. Operation is guaranteed over the supply voltage range of +2.7 V to +5.5 V consuming less than 100  $\mu$ A making this device ideal for battery operated applications.

The full-scale voltage output is determined by the external reference input voltage applied. The rail-to-rail  $REF_{IN}$  to  $DAC_{OUT}$  allows for a full-scale voltage set equal to the positive supply  $V_{DD}$  or any value in between.

### FUNCTIONAL DIAGRAM



A doubled-buffered serial-data interface offers high speed, three-wire, SPI and microcontroller compatible inputs using data in (SDI), clock (CLK) and load strobe ( $\overline{LD}$ ) pins. Additionally, a CLR input sets the output to zero scale at power on or upon user demand.

Both parts are offered in the same pinout to allow users to select the amount of resolution appropriate for their application without circuit card redesign.

The AD7390/AD7391 are specified over the extended industrial ( $-40^{\circ}\text{C}$  to  $+85^{\circ}\text{C}$ ) temperature range. The AD7391AR is specified for the  $-40^{\circ}\text{C}$  to  $+125^{\circ}\text{C}$  automotive temperature range. The AD7390/AD7391s are available in plastic DIP, and low profile 1.75 mm height SO-8 surface mount packages. The AD7391ARU is available for ultracompact applications in a thin 1.1 mm TSSOP-8 package.

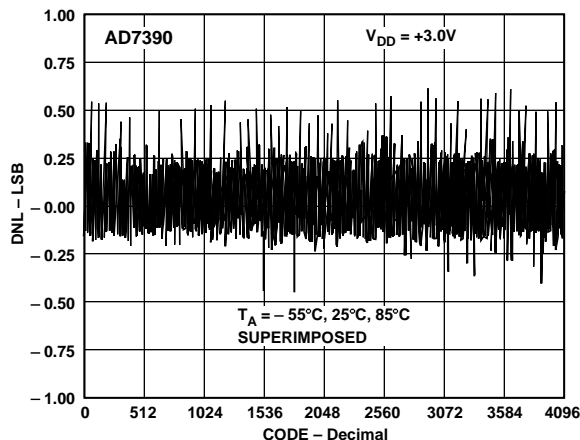


Figure 1. Differential Nonlinearity Error vs. Code

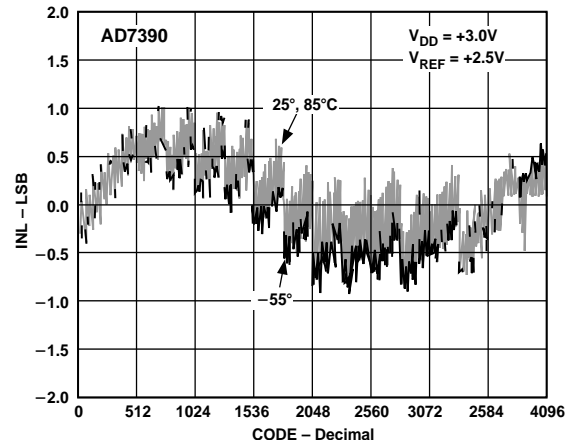


Figure 2. INL Error vs. Code & Temperature

### REV. 0

Information furnished by Analog Devices is believed to be accurate and reliable. However, no responsibility is assumed by Analog Devices for its use, nor for any infringements of patents or other rights of third parties which may result from its use. No license is granted by implication or otherwise under any patent or patent rights of Analog Devices.

© Analog Devices, Inc., 1996

**One Technology Way, P.O. Box 9106, Norwood, MA 02062-9106, U.S.A.**  
**Tel: 617/329-4700**  
**Fax: 617/326-8703**

# AD7390/AD7391—SPECIFICATIONS

## AD7390 ELECTRICAL CHARACTERISTICS (@ $V_{REF IN} = 2.5\text{ V}$ , $-40^{\circ}\text{C} < T_A < +85^{\circ}\text{C}$ , unless otherwise noted)

Parameter	Symbol	Conditions	3 V $\pm$ 10%	5 V $\pm$ 10%	Units
<b>STATIC PERFORMANCE</b>					
Resolution <sup>1</sup>	N		12	12	Bits
Relative Accuracy <sup>2</sup>	INL	$T_A = +25^{\circ}\text{C}$	$\pm 1.6$	$\pm 1.6$	LSB max
Relative Accuracy <sup>2</sup>	INL	$T_A = -40^{\circ}\text{C}, +85^{\circ}\text{C}$	$\pm 2.0$	$\pm 2$	LSB max
Differential Nonlinearity <sup>2</sup>	DNL	$T_A = +25^{\circ}\text{C}$ , Monotonic	$\pm 0.9$	$\pm 0.9$	LSB max
Differential Nonlinearity <sup>2</sup>	DNL	Monotonic	$\pm 1$	$\pm 1$	LSB max
Zero-Scale Error	$V_{ZSE}$	Data = 000 <sub>H</sub>	4.0	4.0	mV max
Full-Scale Voltage Error	$V_{FSE}$	$T_A = +25^{\circ}\text{C}, +85^{\circ}\text{C}$ , Data = FFF <sub>H</sub>	$\pm 8$	$\pm 8$	mV max
Full-Scale Voltage Error	$V_{FSE}$	$T_A = -40^{\circ}\text{C}$ , Data = FFF <sub>H</sub>	$\pm 20$	$\pm 20$	mV max
Full-Scale Tempco <sup>3</sup>	$TCV_{FS}$		16	16	ppm/ $^{\circ}\text{C}$ typ
<b>REFERENCE INPUT</b>					
$V_{REF IN}$ Range	$V_{REF}$		0/ $V_{DD}$	0/ $V_{DD}$	V min/max
Input Resistance	$R_{REF}$		2.5	2.5	M $\Omega$ typ <sup>4</sup>
Input Capacitance <sup>3</sup>	$C_{REF}$		5	5	pF typ
<b>ANALOG OUTPUT</b>					
Output Current (Source)	$I_{OUT}$	Data = 800 <sub>H</sub> , $\Delta V_{OUT} = 5$ LSB	1	1	mA typ
Output Current (Sink)	$I_{OUT}$	Data = 800 <sub>H</sub> , $\Delta V_{OUT} = 5$ LSB	3	3	mA typ
Capacitive Load <sup>3</sup>	$C_L$	No Oscillation	100	100	pF typ
<b>LOGIC INPUTS</b>					
Logic Input Low Voltage	$V_{IL}$		0.5	0.8	V max
Logic Input High Voltage	$V_{IH}$		$V_{DD} - 0.6$	$V_{DD} - 0.6$	V min
Input Leakage Current	$I_{IL}$		10	10	$\mu\text{A}$ max
Input Capacitance <sup>3</sup>	$C_{IL}$		10	10	pF max
<b>INTERFACE TIMING<sup>3, 5</sup></b>					
Clock Width High	$t_{CH}$		50	30	ns min
Clock Width Low	$t_{CL}$		50	30	ns min
Load Pulse Width	$t_{LDW}$		30	20	ns min
Data Setup	$t_{DS}$		10	10	ns min
Data Hold	$t_{DH}$		30	15	ns min
Clear Pulse Width	$t_{CLR W}$		15	15	ns min
Load Setup	$t_{LD1}$		30	15	ns min
Load Hold	$t_{LD2}$		40	20	ns min
<b>AC CHARACTERISTICS<sup>6</sup></b>					
Output Slew Rate	SR	Data = 000 <sub>H</sub> to FFF <sub>H</sub> to 000 <sub>H</sub>	0.05	0.05	V/ $\mu\text{s}$ typ
Settling Time	$t_S$	To $\pm 0.1\%$ of Full Scale	70	60	$\mu\text{s}$ typ
DAC Glitch	Q	Code 7FF <sub>H</sub> to 800 <sub>H</sub> to 7FF <sub>H</sub>	65	65	nVs typ
Digital Feedthrough	Q		15	15	nVs typ
Feedthrough	$V_{OUT}/V_{REF}$	$V_{REF} = 1.5 V_{DC} + 1\text{ V p-p}$ , Data = 000 <sub>H</sub> , $f = 100\text{ kHz}$	-63	-63	dB typ
<b>SUPPLY CHARACTERISTICS</b>					
Power Supply Range	$V_{DD RANGE}$	DNL $< \pm 1$ LSB	2.7/5.5	2.7/5.5	V min/max
Positive Supply Current	$I_{DD}$	$V_{IL} = 0\text{ V}$ , No Load, $T_A = +25^{\circ}\text{C}$	55	55	$\mu\text{A}$ typ
Positive Supply Current	$I_{DD}$	$V_{IL} = 0\text{ V}$ , No Load	100	100	$\mu\text{A}$ max
Power Dissipation	$P_{DISS}$	$V_{IL} = 0\text{ V}$ , No Load	300	500	$\mu\text{W}$ max
Power Supply Sensitivity	PSS	$\Delta V_{DD} = \pm 5\%$	0.003	0.006	%/% max

### NOTES

<sup>1</sup>One LSB =  $V_{REF}/4096\text{ V}$  for the 12-bit AD7390.

<sup>2</sup>The first two codes (000<sub>H</sub>, 001<sub>H</sub>) are excluded from the linearity error measurement.

<sup>3</sup>These parameters are guaranteed by design and not subject to production testing.

<sup>4</sup>Typicals represent average readings measured at  $25^{\circ}\text{C}$ .

<sup>5</sup>All input control signals are specified with  $t_R = t_F = 2\text{ ns}$  (10% to 90% of +3 V) and timed from a voltage level of 1.6 V.

<sup>6</sup>The settling time specification does not apply for negative going transitions within the last 3 LSBs of ground.

Specifications subject to change without notice.

# SPECIFICATIONS

# AD7390/AD7391

## AD7391 ELECTRICAL CHARACTERISTICS (@ $V_{REF\ IN} = 2.5\ V$ , $-40^{\circ}\text{C} < T_A < +85^{\circ}\text{C}$ , unless otherwise noted)

Parameter	Symbol	Conditions	3 V $\pm$ 10%	5 V $\pm$ 10%	Units
<b>STATIC PERFORMANCE</b>					
Resolution <sup>1</sup>	N		10	10	Bits
Relative Accuracy <sup>2</sup>	INL	$T_A = +25^{\circ}\text{C}$	$\pm 1.75$	$\pm 1.75$	LSB max
Relative Accuracy <sup>2</sup>	INL	$T_A = -40^{\circ}\text{C}, +85^{\circ}\text{C}, +125^{\circ}\text{C}$	$\pm 2.0$	$\pm 2.0$	LSB max
Differential Nonlinearity <sup>2</sup>	DNL	Monotonic	$\pm 0.9$	$\pm 0.9$	LSB max
Zero-Scale Error	$V_{ZSE}$	Data = 000 <sub>H</sub>	9.0	9.0	mV max
Full-Scale Voltage Error	$V_{FSE}$	$T_A = +25^{\circ}\text{C}, +85^{\circ}\text{C}, +125^{\circ}\text{C}$ , Data = 3FF <sub>H</sub>	$\pm 32$	$\pm 32$	mV max
Full-Scale Voltage Error	$V_{FSE}$	$T_A = -40^{\circ}\text{C}$ , Data = 3FF <sub>H</sub>	$\pm 35$	$\pm 35$	mV max
Full-Scale Tempco <sup>3</sup>	$TCV_{FS}$		16	16	ppm/ $^{\circ}\text{C}$ typ
<b>REFERENCE INPUT</b>					
$V_{REF\ IN}$ Range	$V_{REF}$		0/ $V_{DD}$	0/ $V_{DD}$	V min/max
Input Resistance	$R_{REF}$		2.5	2.5	M $\Omega$ typ <sup>4</sup>
Input Capacitance <sup>3</sup>	$C_{REF}$		5	5	pF typ
<b>ANALOG OUTPUT</b>					
Output Current (Source)	$I_{OUT}$	Data = 800 <sub>H</sub> , $\Delta V_{OUT} = 5\ \text{LSB}$	1	1	mA typ
Output Current (Sink)	$I_{OUT}$	Data = 800 <sub>H</sub> , $\Delta V_{OUT} = 5\ \text{LSB}$	3	3	mA typ
Capacitive Load <sup>3</sup>	$C_L$	No Oscillation	100	100	pF typ
<b>LOGIC INPUTS</b>					
Logic Input Low Voltage	$V_{IL}$		0.5	0.8	V min
Logic Input High Voltage	$V_{IH}$		$V_{DD} - 0.6$	$V_{DD} - 0.6$	V max
Input Leakage Current	$I_{IL}$		10	10	$\mu\text{A}$ max
Input Capacitance <sup>3</sup>	$C_{IL}$		10	10	pF max
<b>INTERFACE TIMING<sup>3, 5</sup></b>					
Clock Width High	$t_{CH}$		50	30	ns
Clock Width Low	$t_{CL}$		50	30	ns
Load Pulse Width	$t_{LDW}$		30	20	ns
Data Setup	$t_{DS}$		10	10	ns
Data Hold	$t_{DH}$		30	15	ns
Clear Pulse Width	$t_{CLR\ W}$		15	15	ns
Load Setup	$t_{LD1}$		30	15	ns
Load Hold	$t_{LD2}$		40	20	ns
<b>AC CHARACTERISTICS<sup>6</sup></b>					
Output Slew Rate	SR	Data = 000 <sub>H</sub> to 3FF <sub>H</sub> to 000 <sub>H</sub>	0.05	0.05	V/ $\mu\text{s}$ typ
Settling Time	$t_S$	To $\pm 0.1\%$ of Full Scale	70	60	$\mu\text{s}$ typ
DAC Glitch	Q	Code 7FF <sub>H</sub> to 800 <sub>H</sub> to 7FF <sub>H</sub>	65	65	nVs typ
Digital Feedthrough	Q		15	15	nVs typ
Feedthrough	$V_{OUT}/V_{REF}$	$V_{REF} = 1.5\ V_{DC} + 1\ \text{V p-p}$ , Data = 000 <sub>H</sub> , $f = 100\ \text{kHz}$	-63	-63	dB typ
<b>SUPPLY CHARACTERISTICS</b>					
Power Supply Range	$V_{DD\ RANGE}$	DNL $< \pm 1\ \text{LSB}$	2.7/5.5	2.7/5.5	V min/max
Positive Supply Current	$I_{DD}$	$V_{IL} = 0\ \text{V}$ , No Load, $T_A = +25^{\circ}\text{C}$	55	55	$\mu\text{A}$ typ
Positive Supply Current	$I_{DD}$	$V_{IL} = 0\ \text{V}$ , No Load	100	100	$\mu\text{A}$ max
Power Dissipation	$P_{DISS}$	$V_{IL} = 0\ \text{V}$ , No Load	300	500	$\mu\text{W}$ max
Power Supply Sensitivity	PSS	$\Delta V_{DD} = \pm 5\%$	0.003	0.006	%/% max

### NOTES

<sup>1</sup>One LSB =  $V_{REF}/1024\ \text{V}$  for the 10-bit AD7391.

<sup>2</sup>The first two codes (000<sub>H</sub>, 001<sub>H</sub>) are excluded from the linearity error measurement.

<sup>3</sup>These parameters are guaranteed by design and not subject to production testing.

<sup>4</sup>Typicals represent average readings measured at 25 $^{\circ}\text{C}$ .

<sup>5</sup>All input control signals are specified with  $t_R = t_F = 2\ \text{ns}$  (10% to 90% of +3 V) and timed from a voltage level of 1.6 V.

<sup>6</sup>The settling time specification does not apply for negative going transitions within the last 3 LSBs of ground.

Specifications subject to change without notice.

# AD7390/AD7391

## ABSOLUTE MAXIMUM RATINGS\*

V <sub>DD</sub> to GND	−0.3 V, +8 V
V <sub>REF</sub> to GND	0.3 V, V <sub>DD</sub> + 0.3 V
Logic Inputs to GND	−0.3 V, +8 V
V <sub>OUT</sub> to GND	−0.3 V, V <sub>DD</sub> + 0.3 V
I <sub>OUT</sub> Short Circuit to GND	50 mA
Package Power Dissipation	(T <sub>JMAX</sub> − T <sub>A</sub> )/θ <sub>JA</sub>
Thermal Resistance θ <sub>JA</sub>	
8-Pin Plastic DIP Package (N-8)	103°C/W
8-Lead SOIC Package (SO-8)	158°C/W
TSSOP-8 Package (RU-8)	240°C/W
Maximum Junction Temperature (T <sub>JMAX</sub> )	150°C
Operating Temperature Range	−40°C to +85°C
Storage Temperature Range	−65°C to +150°C
Lead Temperature (Soldering, 10 secs)	+300°C

## NOTES

\*Stresses above those listed under “Absolute Maximum Ratings” may cause permanent damage to the device. This is a stress rating only and functional operation of the device at these or any other conditions above those indicated in the operational specification is not implied. Exposure to the above maximum rating conditions for extended periods may affect device reliability.

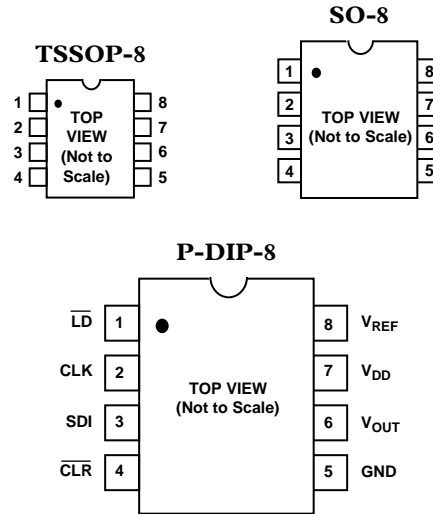
## ORDERING GUIDE

Model	Res	Temp	Package Description	Package Option
AD7390AN	12	XIND	8-Pin P-DIP	N-8
AD7390AR	12	XIND	8-Lead SOIC	SO-8
AD7391AN	10	XIND	8-Pin P-DIP	N-8
AD7391AR	10	AUTO	8-Lead SOIC	SO-8
AD7391ARU	10	XIND	TSSOP-8	RU-8

## NOTES

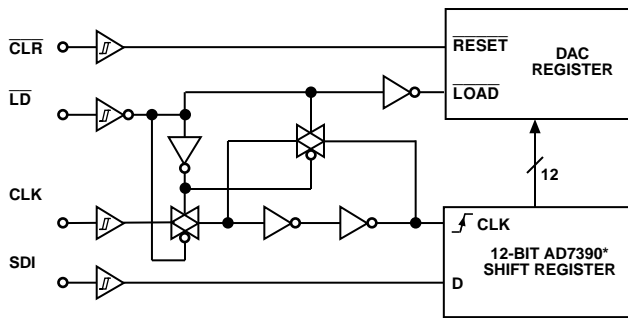
XIND = −40°C to +85°C; AUTO = −40°C to +125°C  
The AD7390 contains 558 transistors. The die size measures 70 mil X 68 mil.

## PIN CONFIGURATIONS



## PIN DESCRIPTIONS

Pin No.	Name	Function
1	$\overline{LD}$	Load Strobe. Transfers shift register data to DAC register while active low. See truth table for operation.
2	CLK	Clock Input. Positive edge clocks data into shift register.
3	SDI	Serial Data Input. Data loads directly into the shift register.
4	$\overline{CLR}$	Resets DAC register to zero condition. Active low input.
5	GND	Analog & Digital Ground.
6	V <sub>OUT</sub>	DAC Voltage Output. Full-scale output 1 LSB less than reference input voltage REF.
7	V <sub>DD</sub>	Positive Power Supply Input. Specified range of operation +2.7 V to +5.5 V.
8	V <sub>REF</sub>	DAC Reference Input Pin. Establishes DAC full-scale voltage.



\* NOTE: AD7391 HAS A 10-BIT SHIFT REGISTER

Figure 3. Digital Control Logic

## CAUTION

ESD (electrostatic discharge) sensitive device. Electrostatic charges as high as 4000 V readily accumulate on the human body and test equipment and can discharge without detection. Although the AD7390/AD7391 features proprietary ESD protection circuitry, permanent damage may occur on devices subjected to high energy electrostatic discharges. Therefore, proper ESD precautions are recommended to avoid performance degradation or loss of functionality.



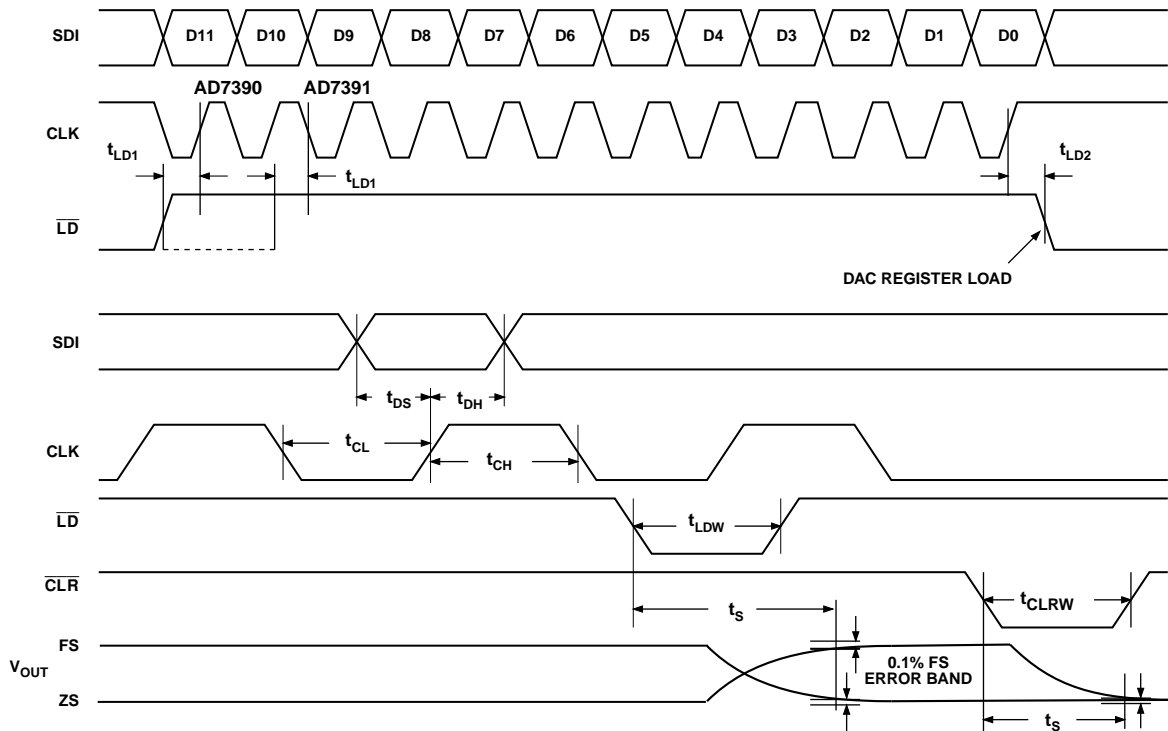


Figure 4. Timing Diagram

Table I. Control-Logic Truth Table

CLK	CLR	LD	Serial Shift Register Function	DAC Register Function
↑	H	H	Shift-Register-Data Advanced One-Bit	Latched
X	H	L	Disables	Updated with Current Shift Register Contents
X	L	X	No Effect	Loaded with all Zeros
X	↑	H	No Effect	Latched with all Zeros
X	↑	L	Disabled	Previous SR Contents Loaded (Avoid usage of CLR when LD is logic low, since SR data could be corrupted if a clock edge takes place, while CLR returns high.)

NOTES

<sup>1</sup>↑ = Positive logic transition.

<sup>2</sup>X = Don't care.

Table II. AD7390 Serial Input Register Data Format, Data is Loaded in the MSB-First Format

	MSB											LSB
	B11	B10	B9	B8	B7	B6	B5	B4	B3	B2	B1	B0
AD7390	D11	D10	D9	D8	D7	D6	D5	D4	D3	D2	D1	D0

Table III. AD7391 Serial Input Register Data Format, Data is Loaded in the MSB-First Format

	MSB										LSB
	B9	B8	B7	B6	B5	B4	B3	B2	B1	B0	
AD7391	D9	D8	D7	D6	D5	D4	D3	D2	D1	D0	

# AD7390/AD7391—Typical Performance Characteristics

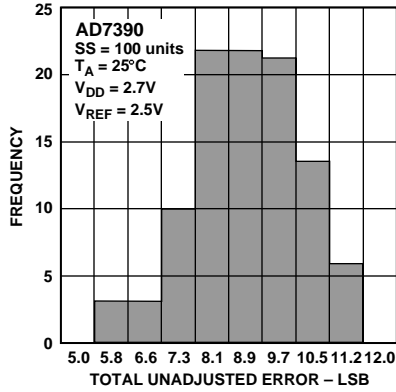


Figure 5. AD7390 Total Unadjusted Error Histogram

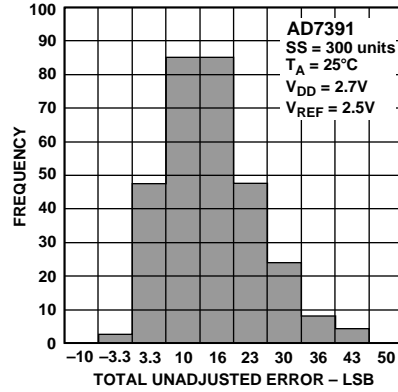


Figure 6. AD7391 Total Unadjusted Error Histogram

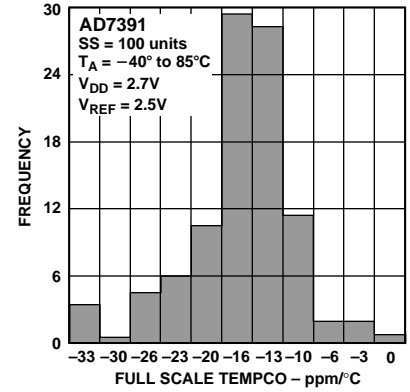


Figure 7. AD7391 Full-Scale Output Tempco Histogram

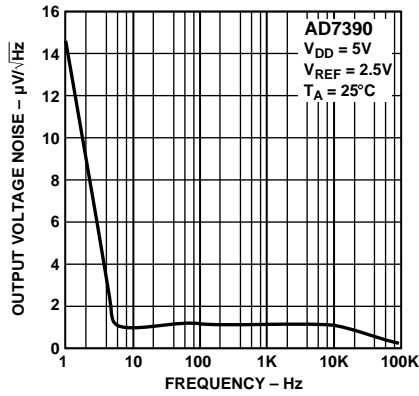


Figure 8. Voltage Noise Density vs. Frequency

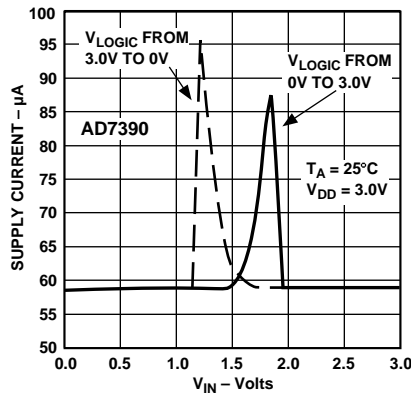


Figure 9. Supply Current vs. Logic Input Voltage

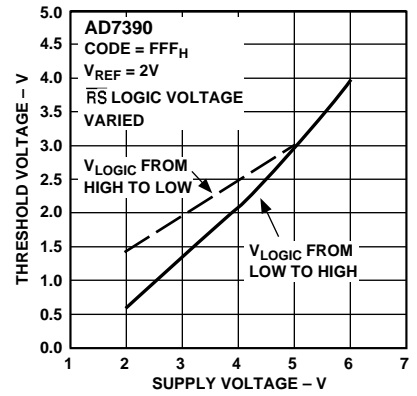


Figure 10. Logic Threshold vs. Supply Voltage

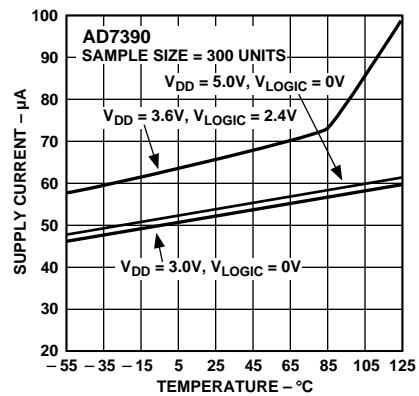


Figure 11. Supply Current vs. Temperature

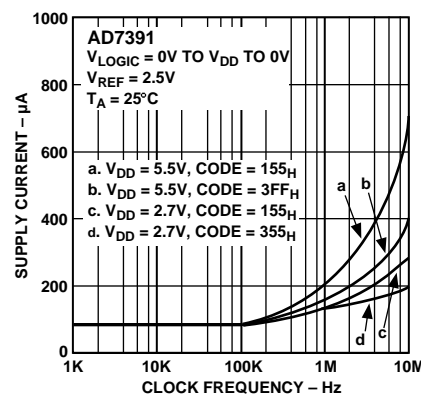


Figure 12. Supply Current vs. Clock Frequency

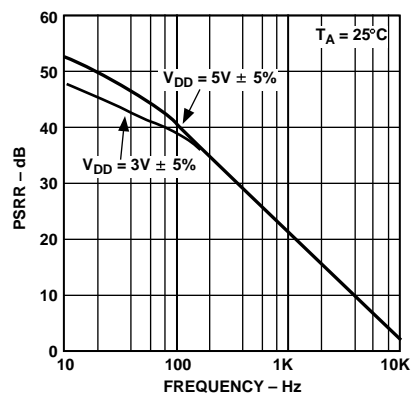


Figure 13. Power Supply Rejection vs. Frequency

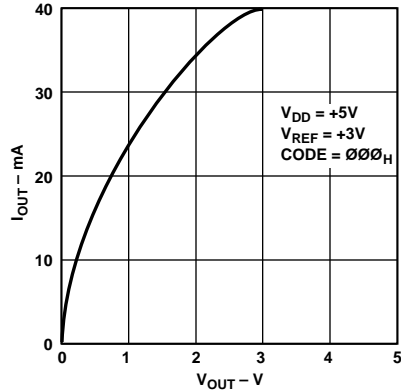


Figure 14.  $I_{OUT}$  at Zero Scale vs.  $V_{OUT}$

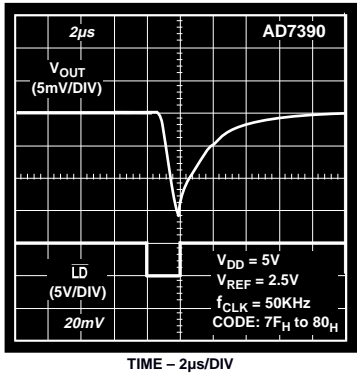


Figure 15. Midscale Transition Performance

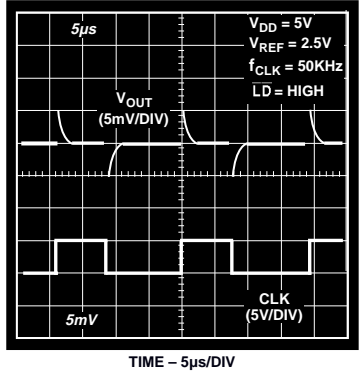


Figure 16. Digital Feedthrough

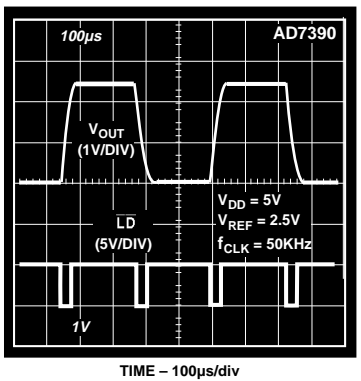


Figure 17. Large Signal Settling Time

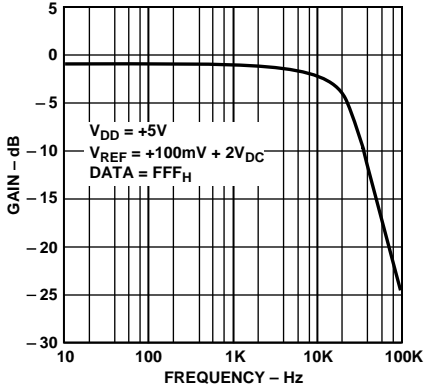


Figure 18. Reference Multiplying Bandwidth

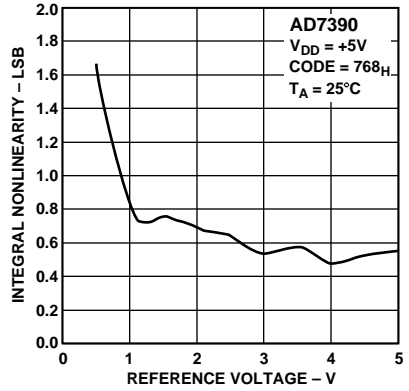


Figure 19. INL Error vs. Reference Voltage

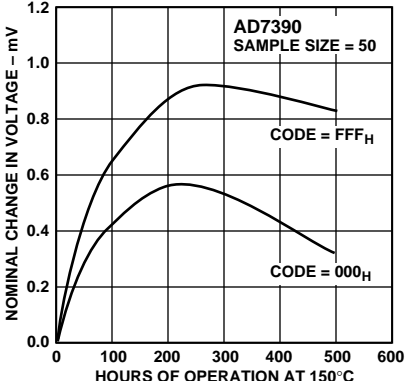


Figure 20. Long-Term Drift Accelerated by Burn-In

# AD7390/AD7391

## OPERATION

The AD7390 and AD7391 are a set of pin compatible, 12-bit/10-bit digital-to-analog converters. These single-supply operation devices consume less than 100 microamps of current while operating from power supplies in the +2.7 V to +5.5 V range making them ideal for battery operated applications. They contain a voltage-switched, 12-bit/10-bit, laser-trimmed digital-to-analog converter, rail-to-rail output op amps, serial-input register, and a DAC register. The external reference input has constant input resistance independent of the digital code setting of the DAC. In addition, the reference input can be tied to the same supply voltage as  $V_{DD}$  resulting in a maximum output voltage span of 0 to  $V_{DD}$ . The SPI compatible, serial-data interface consists of a serial data input (SDI), clock (CLK), and load ( $\overline{LD}$ ) pins. A  $\overline{CLR}$  pin is available to reset the DAC register to zero-scale. This function is useful for power-on reset or system failure recovery to a known state.

## D/A CONVERTER SECTION

The voltage switched R-2R DAC generates an output voltage dependent on the external reference voltage connected to the  $V_{REF}$  pin according to the following equation:

$$V_{OUT} = V_{REF} \times \frac{D}{2^N} \quad \text{Equation 1}$$

where D is the decimal data word loaded into the DAC register, and N is the number of bits of DAC resolution. In the case of the 10-bit AD7391 using a 2.5 V reference, Equation 1 simplifies to:

$$V_{OUT} = 2.5 \times \frac{D}{1024} \quad \text{Equation 2}$$

Using Equation 2 the nominal midscale voltage at  $V_{OUT}$  is 1.25 V for D = 512; full-scale voltage is 2.497 volts. The LSB step size is  $2.5 \times 1/1024 = 0.0024$  volts.

For the 12-bit AD7390 operating from a 5.0 V reference Equation 1 becomes:

$$V_{OUT} = 5.0 \times \frac{D}{4096} \quad \text{Equation 3}$$

Using Equation 3 the AD7390 provides a nominal midscale voltage of 2.5 V for D = 2048, and a full-scale output of 4.998 V. The LSB step size is  $5.0 \times 1/4096 = 0.0012$  volts.

## AMPLIFIER SECTION

The internal DAC's output is buffered by a low power consumption precision amplifier. The op amp has a 60  $\mu$ s typical settling time to 0.1% of full scale. There are slight differences in settling time for negative slewing signals versus positive. Also, negative transition settling time to within the last 6 LSBs of zero volts has an extended settling time. The rail-to-rail output stage of this amplifier has been designed to provide precision performance while operating near either power supply. Figure 21 shows an equivalent output schematic of the rail-to-rail amplifier with its N-channel pull-down FETs that will pull an output load directly to GND. The output sourcing current is provided by a P-channel pull-up device that can source current to GND terminated loads.

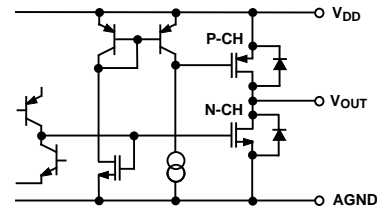


Figure 21. Equivalent Analog Output Circuit

The rail-to-rail output stage provides  $\pm 1$  mA of output current. The N-channel output pull-down MOSFET shown in Figure 21 has a 35  $\Omega$  ON resistance, which sets the sink current capability near ground. In addition to resistive load driving capability, the amplifier has also been carefully designed and characterized for up to 100 pF capacitive load driving capability.

## REFERENCE INPUT

The reference input terminal has a constant input-resistance independent of digital code which results in reduced glitches on the external reference voltage source. The high 2 M $\Omega$  input-resistance minimizes power dissipation within the AD7390/AD7391 D/A converters. The  $V_{REF}$  input accepts input voltages ranging from ground to the positive-supply voltage  $V_{DD}$ . One of the simplest applications which saves an external reference voltage source is connection of the  $V_{REF}$  terminal to the positive  $V_{DD}$  supply. This connection results in a rail-to-rail voltage output span maximizing the programmed range. The reference input will accept ac signals as long as they are kept within the supply voltage range,  $0 < V_{REF IN} < V_{DD}$ . The reference bandwidth and integral nonlinearity error performance are plotted in the typical performance section, see Figures 18 and 19. The ratiometric reference feature makes the AD7390/AD7391 an ideal companion to ratiometric analog-to-digital converters such as the AD7896.

## POWER SUPPLY

The very low power consumption of the AD7390/AD7391 is a direct result of a circuit design optimizing the use of a CBCMOS process. By using the low power characteristics of CMOS for the logic, and the low noise, tight-matching of the complementary bipolar transistors, excellent analog accuracy is achieved. One advantage of the rail-to-rail output amplifiers used in the AD7390/AD7391 is the wide range of usable supply voltage. The part is fully specified and tested for operation from +2.7 V to +5.5 V.

## POWER SUPPLY BYPASSING AND GROUNDING

Precision analog products, such as the AD7390/AD7391, require a well filtered power source. Since the AD7390/AD7391 operates from a single +3 V to +5 V supply, it seems convenient to simply tap into the digital logic power supply. Unfortunately, the logic supply is often a switch-mode design, which generates noise in the 20 kHz to 1 MHz range. In addition, fast logic gates can generate glitches hundred of millivolts in amplitude due to wiring resistance and inductance. The power supply noise generated thereby means that special care must be taken to assure that the inherent precision of the DAC is maintained. Good engineering judgment should be exercised when addressing the power supply grounding and bypassing of the AD7390.



The AD7390 should be powered directly from the system power supply. This arrangement, shown in Figure 22, employs an LC filter and separate power and ground connections to isolate the analog section from the logic switching transients.

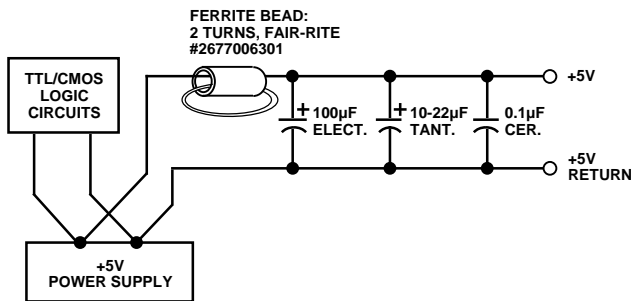


Figure 22. Use Separate Traces to Reduce Power Supply Noise

Whether or not a separate power supply trace is available, however, generous supply bypassing will reduce supply-line induced errors. Local supply bypassing consisting of a 10 µF tantalum electrolytic in parallel with a 0.1 µF ceramic capacitor is recommended in all applications (Figure 23).

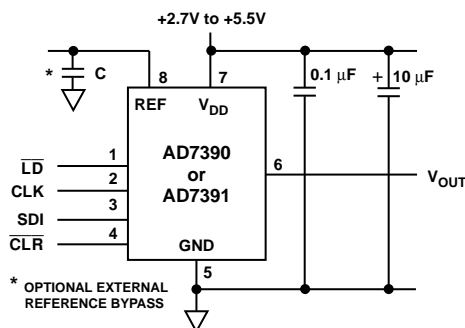


Figure 23. Recommended Supply Bypassing for the AD7390/AD7391

### INPUT LOGIC LEVELS

All digital inputs are protected with a Zener-type ESD protection structure (Figure 24) that allows logic input voltages to exceed the  $V_{DD}$  supply voltage. This feature can be useful if the user is driving one or more of the digital inputs with a 5 V CMOS logic input-voltage level while operating the AD7390/AD7391 on a +3 V power supply. If this mode of interface is used, make sure that the  $V_{OL}$  of the 5 V CMOS meets the  $V_{IL}$  input requirement of the AD7390/AD7391 operating at 3 V. See Figure 10 for a graph for digital logic input threshold versus operating  $V_{DD}$  supply voltage.

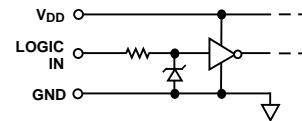


Figure 24. Equivalent Digital Input ESD Protection

In order to minimize power dissipation from input-logic levels that are near the  $V_{IH}$  and  $V_{IL}$  logic input voltage specifications, a Schmitt trigger design was used that minimizes the input-buffer current consumption compared to traditional CMOS input stages. Figure 9 shows a plot of incremental input voltage versus supply current showing that negligible current consumption takes place when logic levels are in their quiescent state. The normal crossover current still occurs during logic transitions. A secondary advantage of this Schmitt trigger, is the prevention of false triggers that would occur with slow moving logic transitions when a standard CMOS logic interface or opto isolators are used. The logic inputs SDI, CLK,  $\overline{LD}$ ,  $\overline{CLR}$  all contain the Schmitt trigger circuits.

### DIGITAL INTERFACE

The AD7390/AD7391 have a double-buffered serial data input. The serial-input register is separate from the DAC register, which allows preloading of a new data value into the serial register without disturbing the present DAC values. A functional block diagram of the digital section is shown in Figure 4, while Table I contains the truth table for the control logic inputs. Three pins control the serial data input. Data at the Serial Data Input (SDI) is clocked into the shift register on the rising edge of CLK. Data is entered in MSB-first format. Twelve clock pulses are required to load the 12-bit AD7390 DAC value. If additional bits are clocked into the shift register, for example when a microcontroller sends two 8-bit bytes, the MSBs are ignored (Figure 25). The CLK pin is only enabled when Load ( $\overline{LD}$ ) is high. The lower resolution 10-bit AD7391 contains a 10-bit shift register. The AD7391 is also loaded MSB first with 10 bits of data. Again if additional bits are clocked into the shift register, only the last 10 bits clocked in are used.

The Load pin ( $\overline{LD}$ ) controls the flow of data from the shift register to the DAC register. After a new value is clocked into the serial-input register, it will be transferred to the DAC register by the negative transition of the Load pin ( $\overline{LD}$ ).

BYTE 1								BYTE 0							
MSB							LSB	MSB							LSB
B15	B14	B13	B12	B11	B10	B9	B8	B7	B6	B5	B4	B3	B2	B1	B0
X	X	X	X	D11	D10	D9	D8	D7	D6	D5	D4	D3	D2	D1	D0
X	X	X	X	X	X	D9	D8	D7	D6	D5	D4	D3	D2	D1	D0

D11\_D0: 12-BIT AD7390 DAC VALUE; D9\_D0 10-BIT AD7391 DAC VALUE  
 X = DON'T CARE  
 THE MSB OF BYTE 1 IS THE FIRST BIT THAT IS LOADED INTO THE DAC

Figure 25. Typical AD7390-Microprocessor Serial Data Input Forms

# AD7390/AD7391

## RESET (CLR) PIN

Forcing the CLR pin low will set the DAC register to all zeros and the DAC output voltage will be zero volts. The reset function is useful for setting the DAC outputs to zero at power-up or after a power supply interruption. Test systems and motor controllers are two of many applications which benefit from powering up to a known state. The external reset pulse can be generated by the microprocessor's power-on RESET signal, by an output from the microprocessor, or by an external resistor and capacitor. CLR has a Schmitt trigger input which results in a clean reset function when using external resistor/capacitor generated pulses. The CLR input overrides other logic inputs, specifically LD. However, LD should be set high before CLR goes high. If CLR is kept low, then the contents of the shift register will be transferred to the DAC register as soon as CLR returns high. See the Control-Logic Truth Table I.

## UNIPOLAR OUTPUT OPERATION

This is the basic mode of operation for the AD7390. As shown in Figure 26, the AD7390 has been designed to drive loads as low as 5 kΩ in parallel with 100 pF. The code table for this operation is shown in Table IV.

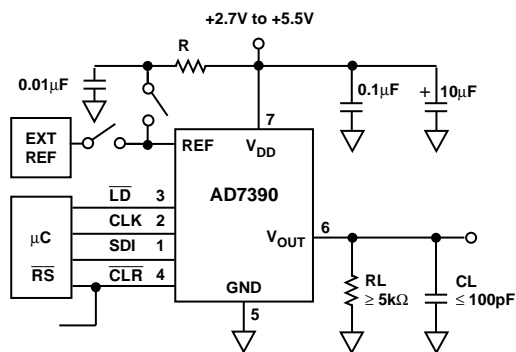


Figure 26. AD7390 Unipolar Output Operation

Table IV. AD7390 Unipolar Code Table

Hexadecimal Number in DAC Register	Decimal Number in DAC Register	Output Voltage (V) $V_{REF} = 2.5\text{ V}$
FFF	4095	2.4994
801	2049	1.2506
800	2048	1.2500
7FF	2047	1.2494
000	0	0

The circuit can be configured with an external reference plus power supply, or powered from a single dedicated regulator or reference depending on the application performance requirements.

## BIPOLAR OUTPUT OPERATION

Although the AD7391 has been designed for single-supply operation, the output can be easily configured for bipolar operation. A typical circuit is shown in Figure 27. This circuit uses a clean regulated +5 V supply for power, which also provides the circuit's reference voltage. Since the AD7391 output span swings from ground to very near +5 V, it is necessary to choose an external amplifier with a common-mode input voltage range that extends to its positive supply rail. The micropower con-

sumption OP196 has been designed just for this purpose and results in only 50 microamps of maximum current consumption. Connection of the equal valued 470 kΩ resistors results in a differential amplifier mode of operation with a voltage gain of two, which results in a circuit output span of ten volts, that is, -5 V to +5 V. As the DAC is programmed with zero-code 000<sub>H</sub> to midscale 200<sub>H</sub> to full-scale 3FF<sub>H</sub>, the circuit output voltage  $V_O$  is set at -5 V, 0 V and +5 V (minus 1 LSB). The output voltage  $V_O$  is coded in offset binary according to Equation 4.

$$V_O = \left[ \left( \frac{D}{512} \right) - 1 \right] \times 5 \quad \text{Equation 4}$$

where D is the decimal code loaded in the AD7391 DAC register. Note that the LSB step size is  $10/1024 = 10\text{ mV}$ . This circuit has been optimized for micropower consumption including the 470 kΩ gain setting resistors, which should have low temperature coefficients to maintain accuracy and matching (preferably the same material, such as metal film). If better stability is required the power supply could be substituted with a precision reference voltage such as the low dropout REF195, which can easily supply the circuit's 162 µA of current, and still provide additional power for the load connected to  $V_O$ . The micropower REF195 is guaranteed to source 10 mA output drive current, but only consumes 50 µA internally. If higher resolution is required, the AD7390 can be used with the addition of two more bits of data inserted into the software coding, which would result in a 2.5 mV LSB step size. Table V shows examples of nominal output voltages  $V_O$  provided by the Bipolar Operation circuit application.

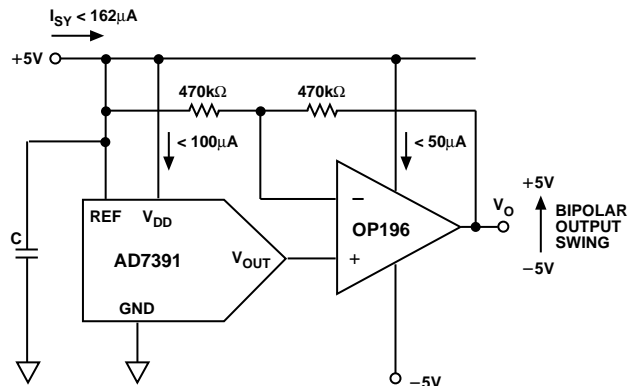


Figure 27. Bipolar Output Operation

Table V. Bipolar Code Table

Hexadecimal Number In DAC Register	Decimal Number in DAC Register	Analog Output Voltage (V)
3FF	1023	4.9902
201	513	0.0097
200	512	0.0000
1FF	511	-0.0097
000	0	-5.0000

**MICROCOMPUTER INTERFACES**

The AD7390 serial data input provides an easy interface to a variety of single-chip microcomputers ( $\mu$ Cs). Many  $\mu$ Cs have a built-in serial data capability which can be used for communicating with the DAC. In cases where no serial port is provided, or it is being used for some other purpose (such as an RS-232 communications interface), the AD7390/AD7391 can easily be addressed in software.

Twelve data bits are required to load a value into the AD7390. If more than 12 bits are transmitted before the load  $\overline{\text{LD}}$  input goes high, the extra (i.e., the most-significant) bits are ignored. This feature is valuable because most  $\mu$ Cs only transmit data in 8-bit increments. Thus, the  $\mu$ C sends 16 bits to the DAC instead of 12 bits. The AD7390 will only respond to the last 12 bits clocked into the SDI input, however, so the serial-data interface is not affected.

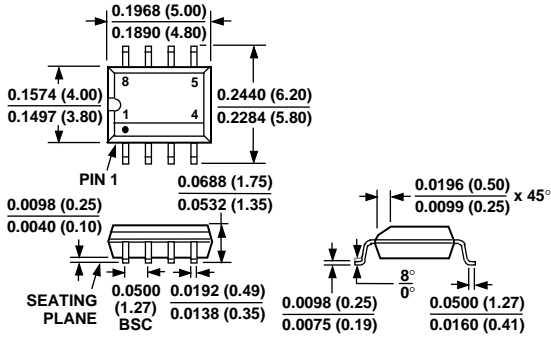
Ten data bits are required to load a value into the AD7391. If more than 10 bits are transmitted before load  $\overline{\text{LD}}$  returns high, the extra bits are ignored.

# AD7390/AD7391

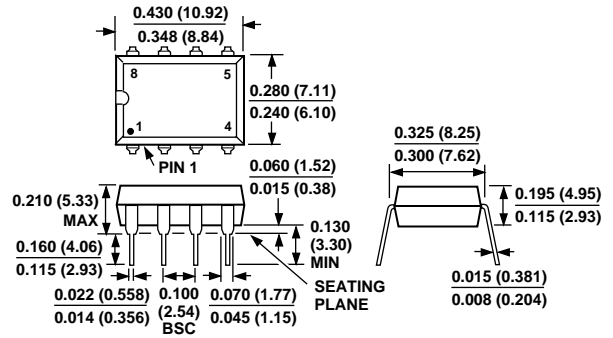
## OUTLINE DIMENSIONS

Dimensions shown in inches and (mm).

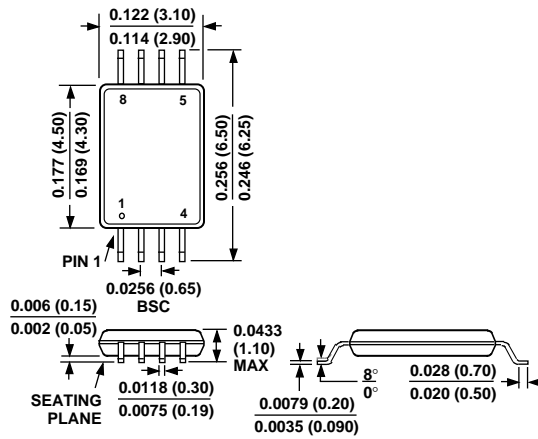
### 8-Lead SOIC (SO-8)



### 8-Pin Plastic DIP (N-8)



### 8-Pin TSSOP (RU-8)



C2151-18-7/96

PRINTED IN U.S.A.